

# Specifications

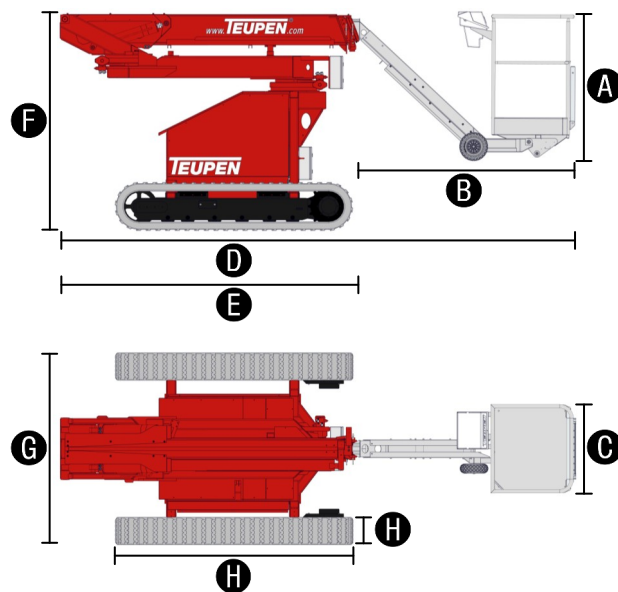


MEASUREMENTS	Metric
Working height, max.	12,00 m
Horizontal outreach, max.	8,45 m
Platform height (A)	1,10 m
Platform length (B)	0,80 m
Platform width (C)	0,70 m
Length, overall (D)	4,75 m
Length without basket (E)	2,80 m
Height, travelling position (F)	1,99 m
Width, min. (G)	1,76 m
Track (L x W) (H)	220 x 25 cm

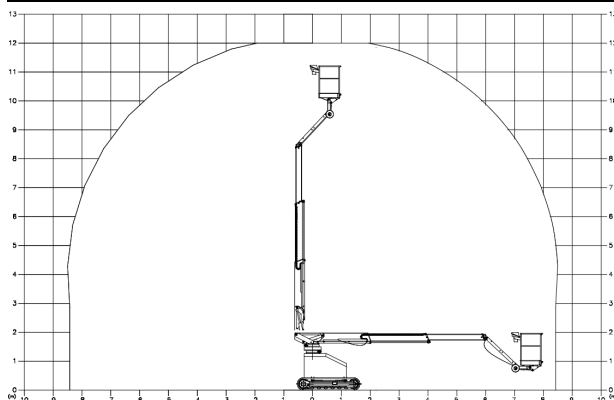
PRODUCTIVITY	Metric
Basket capacity	120 kg
Movable Jib	-
Turret rotation	220°
Positionable on ground slopes of	2,0°/3,5 %
Height and width track adjustment	-
Gradeability, max.	8,5°/15,0 %
Slope angle	8,5°/15,0 %
Travel speed	1,2 km/h

WEIGHT	Metric
Total weight	2985 kg
Live load in travelling position	4,15 kN/m <sup>2</sup>
Live load in working position	4,15 kN/m <sup>2</sup>

POWER	
Standard power source	<b>Battery:</b> Atech (24 V, 450 Ah, 4,5 kW)
Optional power sources	<b>1) Electric:</b> 230 V, 12,9 A, 2,2 kW <b>2) Petrol/gas:</b> Honda GX 390 (9,6 kW/12,8 hp) <b>3) Diesel:</b> Kubota Z 602 (10,8 kW/14,5 hp)
Fuel tank capacity petrol/gas engines	6,5 l
Fuel tank capacity Diesel engines	13,0 l



## WORKING ENVELOPE



## STANDARDS COMPLIANCE



EN ISO 9001



Product specifications are subject to change without notice or obligation. Photographs and drawings in this document are for illustrative purposes only. Refer to the appropriate Operator's Manual for instructions on the proper use of this equipment. Failure to follow the appropriate Operator's Manual when using our equipment or to otherwise act irresponsibly may result in serious injury or death. The only warranty applicable to our equipment is the standard written warranty applicable to the particular product and sale and we make no other warranty, expressed or implied. Products and services listed may be trademarks, service marks or trade-names of Teupen Maschinenbau GmbH and/or its subsidiaries in the U.S.A. and many other countries. "Teupen", "Access redefined" and "LEO Series" are registered Trademarks of Teupen GmbH in the United States of America and many other countries. Version 2015-A © 2015 Teupen Maschinenbau GmbH.

# Features

## TRACK CHASSIS

- Powerful track drive for precise maneuvering and terrainability
- Rubber tracks with specially arranged profile providing optimum grip
- White, non-marking rubber tracks
- Chassis designed for an optimal ground pressure

## BOOM SYSTEM

- All functions are available from one control panel
- Boom rotation via high-performance slew ring with worm gear and hydraulic-motor
- Detachable basket
- Double swivel for more flexibility at work in facilities
- Compact machine dimensions for an optimal manoeuvrability
- Profile system consists of steel- and aluminium components for better performance parameters and maximum stability

## POWER SOURCES

- Battery drive with four 6 V batteries, incl. charging device and indicator lamp

## PRODUCTIVITY, SAFETY, QUALITY

- 230 V (EU), 115 V (US) power outlet in the basket
- High-quality paint in RAL 3020 (red)
- Booms made of anodized aluminum
- Hydraulic emergency lowering via hand pump
- Drive operation without basket available
- Biodegradable hydraulic oil
- Protective covers for oil-tank, emergency controls and connecting cables and hoses
- Possible to be lifted in goods elevators
- Easily removable covers for optimal accessibility
- Ergonomically shaped basket with eyelets for safety belts
- Hour meter



## OPTIONS

- Honda GX 390 petrol/gas engine (9,6 kW/12,8 hp)  
Only one combustion engine can be selected
- Kubota Z 602 Diesel engine (10,8 kW/14,5 hp)  
Only one combustion engine can be selected
- Electric drive (230 V, 12,9 A, 2,2 kW)
- Custom paintwork, one colour, according to RAL scheme (except metallic coatings, signal- or special colors)
- Custom paintwork, two colours, according to RAL scheme (except metallic coatings, signal- or special colors)

## ACCESSORIES

- Track mat (2000 x 800 x 15 mm/6 ft 6 in x 3 ft 3 in x 1/2 in)
- Safety harness

**Enquiries from North & South America:**

### US Office

**Teupen USA, Inc.**  
10701 Southern Loop Blvd.  
Pineville, NC 28134, USA

phone (704) 248-9871  
fax (704) 248-9889

infousa@teupen.com  
www.teupen.com/us

**Enquiries from Europe, Asia, Middle East & Africa:**

### Corporate Headquarters

**Teupen Maschinenbau GmbH**  
Marie-Curie-Str. 13  
48599 Gronau, Germany

phone +49 2562 8161-0  
fax +49 2562 8161-888

mail@teupen.com  
www.teupen.com